



COMF ELECTRONIC COMPANY

EXPORTERS, IMPORTERS & MANUFACTURERS

香港 九龍灣臨興街 32 號美羅中心 1 期 15 樓 11 室

Flat 11, 15/F, METRO CENTRE 1, 32 LAM HING ST.,

KOWLOON BAY, HONG KONG

TEL: (852) 2770 5181

FAX (852)2798 8129

WEB: www.comf-hk.com

Email: sales@comf-hk.com

Product Data Sheet BHC-411-2P

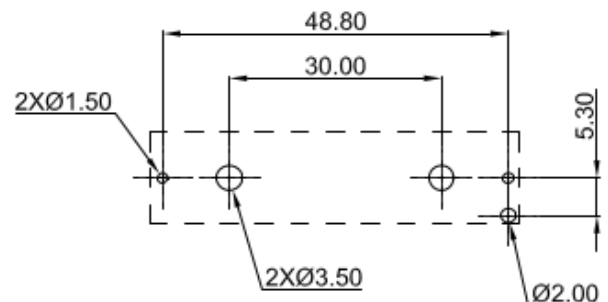
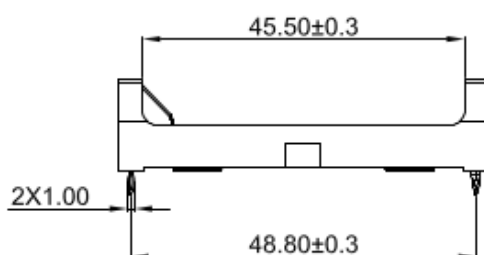
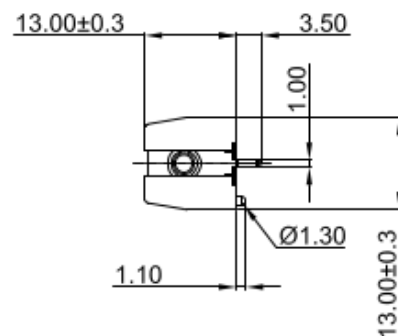
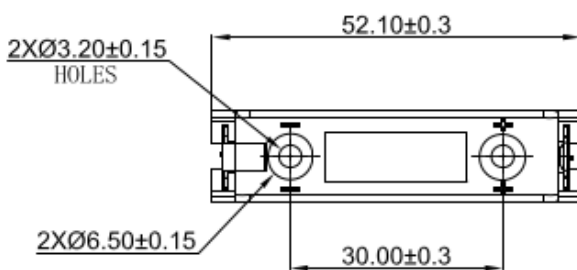


Specification

Cell Size:	1 X AAA Cell, UM-4
Body:	PBT + 30% GF, Black
Terminals:	0.3mm Nickel Plated Stainless Steel
Compliance:	



BHC-411-2P



PCB MOUNTING LAYOUT