

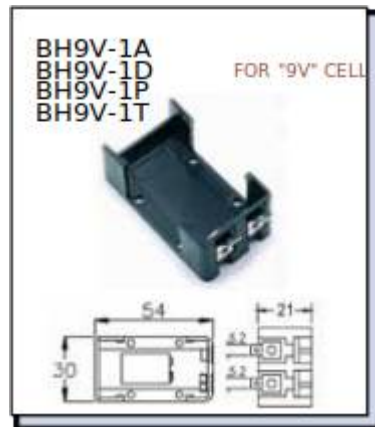


常利興業股份有限公司

COMFORTABLE ELECTRONIC CO., LTD.



WATERPROOF BATTERY HOLDERS & ACCESSORIES
BATTERY SNAPS & WIRE ASSEMBLIES



COMPANY PROFILE

Comfortable Electronic Co., Ltd. (COMF) specializes in the production of Battery Holders, Battery Snaps and Plastic Injection Molding. Over the years, COMF has actively extended their product offering to include Coin Cell Holders, Battery Clips, Battery Contacts and Wire Assemblies. Always aiming to meet the client's need, COMF offers the best solution for design, development and production.

COMF has been a professional component manufacturer and designer for over 50 years, constantly developing and refining our products through our R&D team. We strive to provide quality at all levels of our organization and were an early adopter of ISO 9001 and ISO 14001 certification for our factories. Our products also comply to many international and regional standards such as RoHS, REACH & UL764. The Safety Battery Holders and the Battery Snaps innovated and made by us are patented in China, Japan, Thailand, Vietnam, New Zealand, Singapore, Malaysia, Indonesia, Taiwan, United States of America, United Kingdom and Germany.

Due to the good relations in regional ASEAN markets, COMF cooperated with a local company in Indonesia in 2011 and went into operation next year. Furthermore, 2014 economic benefits reached the target as we expected. For sustainable business, COMF expands the R&D team in Taiwan and will keep investing into the future.

常利興業以電池盒、電池扣及塑膠射出起家，近年來積極跨入周邊產品，如鋰電池盒、端子、連接器、五金彈片與線束產品。除提供標準化產品外，亦可依客戶需求，進行設計、開發與生產。

常利興業已有50年餘專業設計及製造經驗，通過ISO9001、ISO14001認證；並符合RoHS及REACH歐盟環保認證及線束UL764規範。常利興業不斷投入多款產品改良與研發，自80年起陸續取得英國、美國、日本、德國、泰國、越南、紐西蘭、新加坡、馬來西亞、印尼、中國、及台灣等多項專利權。

因應東協市場發展，及中國製造成本提高，常利興業自2011年與印尼廠商合作，並於2012年開始投產；初步預期經濟效益已於2014年底達成。為達到永續經營，常利興業持續擴充工程人員與投資自動化生產設備項目，計畫在台擴充研發團隊與生產項目。



PRODUCT SPOTLIGHT

CONTENTS

PAGE

UM-1 Battery Holder	01
UM-2 Battery Holder	03
UM-3 Battery Holder	05
UM-4 Battery Holder	09
UM-5 Battery Holder	11
Other Battery Holder	12
Battery Holder Contact	13
Safety Battery Holder	15
Waterproof Battery Holder	20
Coin Cell Holder	21
Battery Snap	24
Battery Clips	28
Battery Contacts	31
Wire Harness	41

HOW TO USE THIS CATALOG

電池盒電池釦號碼讀法如下圖所示

The method of reading the battery holder number is as shown below.
(Example)



The method of reading the battery snap number is as shown below.
(Example)



TYPE	CRIMPING				CT-CRIMPING			
	PVC.VINYL	RIGID		SAFETY	PVC.VINYL	RIGID		SAFETY
I	BS-IC	BS-IR	BS-IR-1 BS-IR-2	SBS-IR-1	BS-ICCT	BS-IRCT	BS-IRCT-1	SBS-IRCT-1
E	BS-EC	BS-ER	BS-ER-1	SBS-ER	BS-ECCT	BS-ERCT	BS-ERCT-1	SBS-ERCT
T	BS-TC	BS-TR			BS-TCCT	BS-TRCT		
P	BS-PC				BS-PCCT			

CERTIFICATION

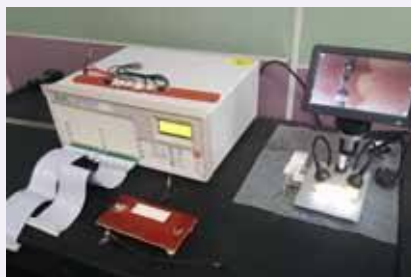
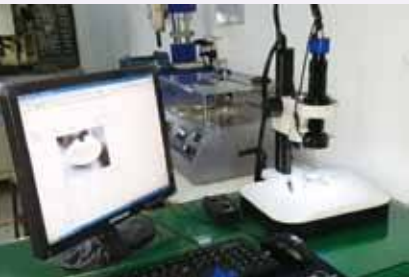
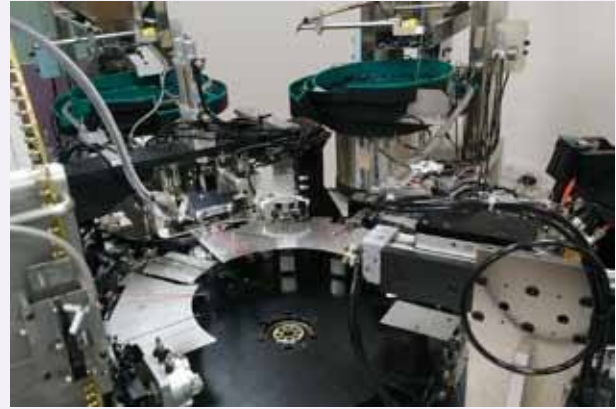


PATENTS

We're a holder of many innovative and multinational patent.



Manufacturing facilities



Comfortable Electronic Co., Ltd.(COMF) has been a professional battery holder accessories manufacturer and designer for over 50 years, with over a decade of experience in wire harness/wire assembly manufacturing. Our manufacturing and materials comply to many international standards such RoHS, REACH, UL764, etc.



Patents:

- Enclosed Battery Holder
- Cylindrical Terminal Rivet and Battery Snap
- Charger with Replaceable Signal Line for a Car
- USB Power Pack and Charger
- Battery Case Having Retaining Function
- Waterproof Battery Case
- Battery Case and Electrode Plate Set for Use in the Same



Taiwan Office:
COMFORTABLE ELECTRONIC CO., LTD.
 3F No.142 Li-Teh Street,
 Chung Ho Dist., New Taipei City,
 23512, Taiwan.
 常利興業股份有限公司
 23512新北市中和區
 立德街142號3樓
 TEL: +886-2-3234-7735
 FAX: +886-2-3234-7739
[http:// www.comf.com.tw](http://www.comf.com.tw)
 E-mail:sales@comf.com.tw

Hong Kong Office:
COMF ELECTRONIC COMPANY
 11/15F, Metro Centre 1,
 No.32 Lam Hing St.,
 Kowloon Bay, Hong Kong.
 常利貿易(H.K)有限公司
 香港九龍灣臨興街32號
 美羅中心1期15樓11室
 TEL: +852-2770-5181
 FAX: +852-2798-8129
[http:// www.comf-hk.com](http://www.comf-hk.com)
 E-mail:sales@comf-hk.com

China Factory:
DONG GUAN EAGLE
ELECTRONIC CO.,LTD.
 東莞市英利電子有限公司
 廣東省東莞市石排鎮塘尾李橫路306號
 TEL: +86-769-8665-2535
 FAX: +86-769-8665-3700

