



COMF ELECTRONIC COMPANY

EXPORTERS, IMPORTERS & MANUFACTURERS

香港九龍灣臨興街32號 美羅中心1期 15樓11室

Flat 11, 15/F, METRO CENTRE 1, 32 LAM HING ST.,

KOWLOON BAY, HONG KONG

TEL: (852) 2770 5181

FAX: (852) 2798 8129



WEB: www.comf-hk.com

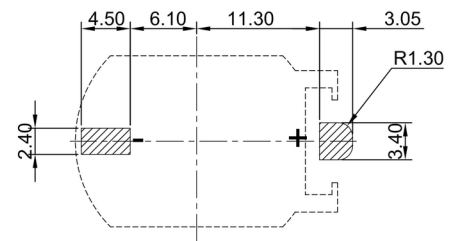
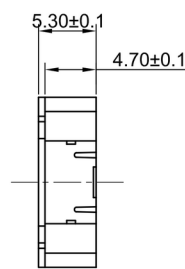
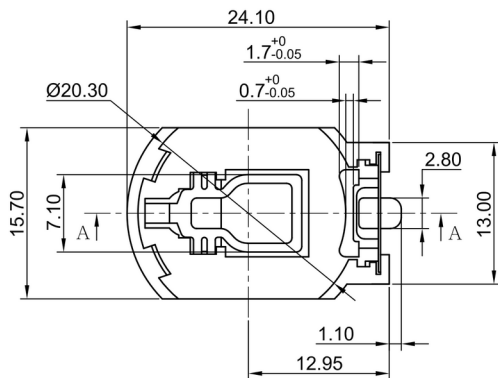
Email: sales@comf-hk.com

Product Data Sheet

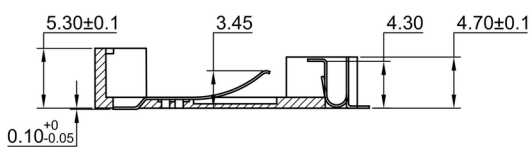
CH7410-2032

Specification

Cell Size:	1 X $\varnothing 20$ X 3.2mm Coin Cell (CR2032)	 <p>CH7410-2032</p>
Body:	PPS + 30%GF UL 94V0, Brown	
Terminals:	Gold over Nick plate, phosphor bronze	
Temp Range:	-55°C to +85°C	
Compliance:		



PCB MOUNTING LAYOUT



SECTION: A-A

